

# FINISH FRESH WITH **TRACK FRESH™** CARBON MONOXIDE FILTERS

## INSTRUCTIONS:

1. 3" Inlet must be connected to an outside air source with a 3" ID hose.  
Do not use a smaller hose or you risk starving the blower of sufficient incoming air.
2. 1" Outlet can be connected directly to the drivers helmet or to a helmet cooler. If a helmet cooler is used it must always follow the Track Fresh Blower Unit.
3. Avoid a High Heat area when positioning the unit due to its plastic construction. The unit should be mounted with driver access in mind.
4. 12VDC @ about 4 amps is required to power the unit.
5. The 1" Hose to the drive should be as short as possible for the best air flow.



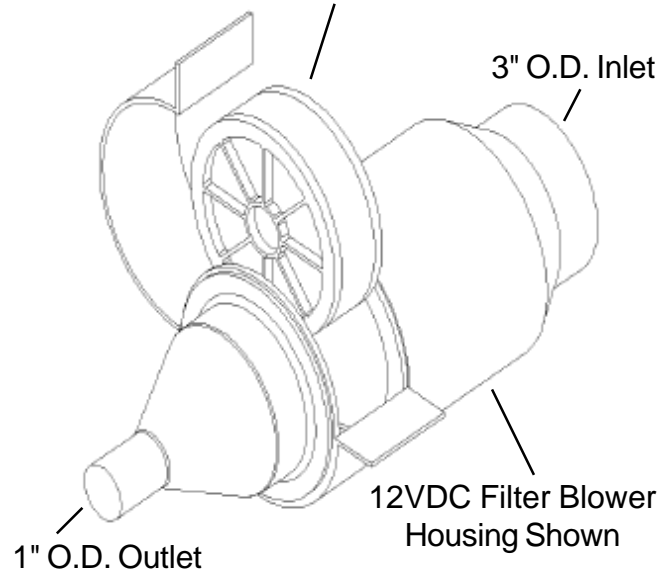
## FILTER CARE:

Place the filter into the unit about 1-2 hours before the event and remove it 1-2 hours after the event. The Track Fresh Filter should always be kept in a ziploc bag to insure cleanliness when not in use.

If any questions arise please feel free to contact Track Fresh at the numbers below:

 **SEAWOLF INC.**  
[www.trackfresh.com](http://www.trackfresh.com)  
CT: (203) 225-0110

## Quick Change Filter Element



\* Blower Housing 14" Long X 6.5" Dia

